

NEW-TECH™

A division of Zeigler Enterprises, Inc.

Over forty-five years of experience specializing in the most innovative laboratory equipment for tomorrow

Spot Exhausters

New-Tech™ **Spot Exhausters** provide pinpoint exhaust targeting the contaminant before it enters your laboratory room. When low pressure loss spot exhaust is needed and a separate high pressure exhaust system is out of the question, the New-Tech™ **Spot Exhauster** can provide the adjustability and containment needed on laboratory benches. Available from 2" Neck Size up to 12" Neck Size with or without an inlet flange. The New-Tech **Spot Exhauster** is available in Galvanized, Type #304 or #316 Stainless Steel, Powder Coated Steel or other chemical resistant materials.

The horseshoe **Spot Exhauster** below is custom designed to fit around a funnel that was placed into a 55 gallon drum. The



laboratory technicians were disposing of excess test samples, pouring the samples into the funnel and which drained into the drum. This horseshoe shaped vent captures the fumes and odors released from these samples. The New-Tech™ horseshoe **Spot Exhauster** is fabricated with a built in swivel joint at the connection from the neck to the horseshoe perforated pinpoint exhaust vent, allowing easy replacement of the drum.

All New-Tech™ products are proudly made in the USA

Please visit us on the web at <http://www.newtechtm.com>

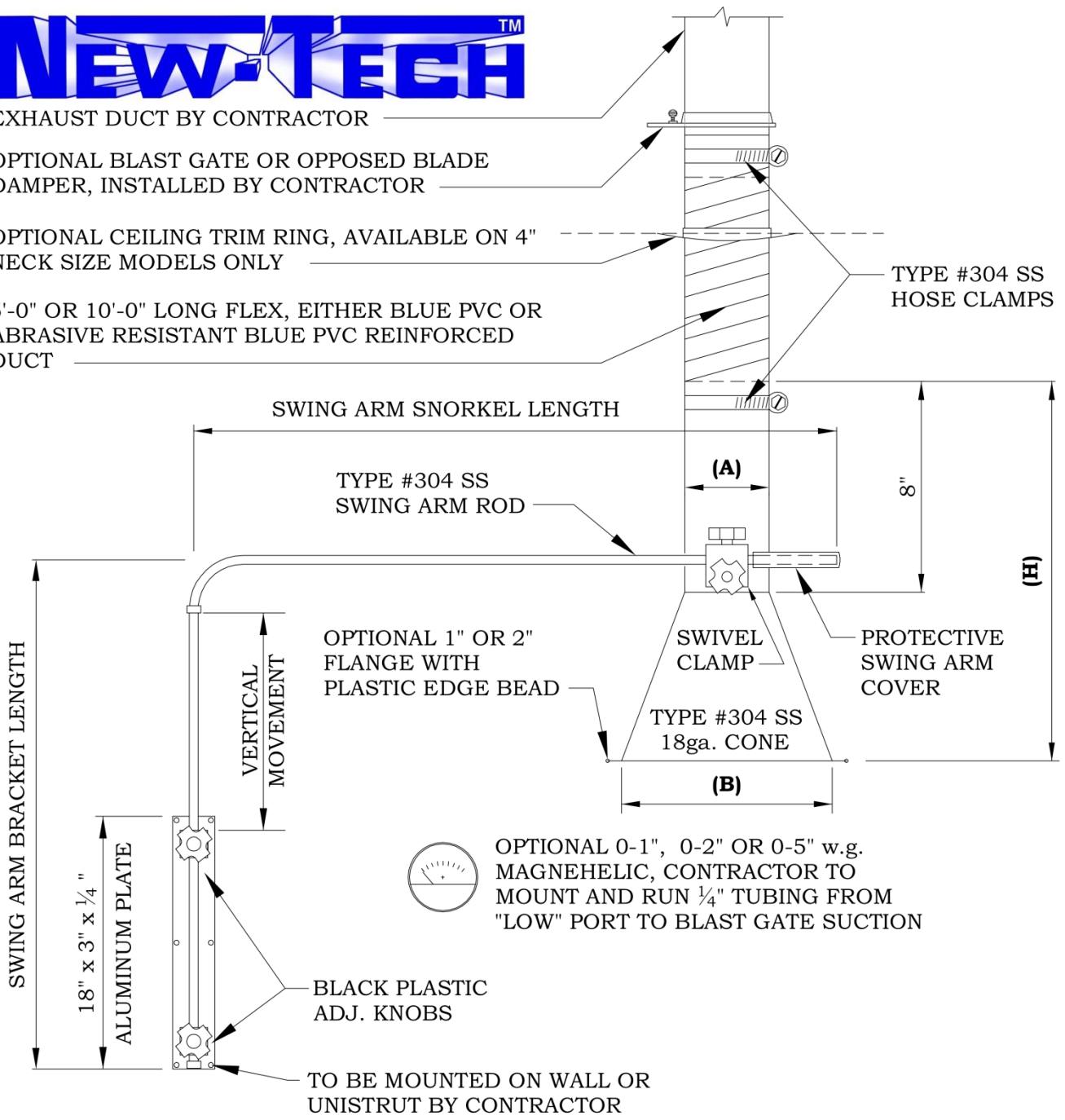


EXHAUST DUCT BY CONTRACTOR

OPTIONAL BLAST GATE OR OPPOSED BLADE DAMPER, INSTALLED BY CONTRACTOR

OPTIONAL CEILING TRIM RING, AVAILABLE ON 4" NECK SIZE MODELS ONLY

5'-0" OR 10'-0" LONG FLEX, EITHER BLUE PVC OR ABRASIVE RESISTANT BLUE PVC REINFORCED DUCT



SPOT EXHAUSTER W/ SUPPORT ARM DETAIL

NOT TO SCALE

A unique swivel clamp provides for rotation in two different planes as well as horizontal movement on the swing arm. Thus, with the swing arm's movement through its arc, the vertical movement of the swing arm in the wall bracket, the horizontal movement on the swing arm, and the two-plane rotation, precision location of the snorkel hood is possible. Heavy duty black plastic clamping knobs make for quick, easy and secure adjustments.

THIS DETAIL IS THE EXCLUSIVE PROPERTY OF ZEIGLER ENTERPRISES, INC.

PO Box 1944 • Midland, MI 48641-1944 • Phone (866) 631-8324 • Fax (989) 631-8362

sales@newtechtm.com

AVAILABLE SPOT EXHAUSTER CONE SIZES

Neck Size (A)	Cone Size (B) [Assembly Length (H) Listed in Table]													
	4"	5"	6"	7"	8"	9"	10"	12"	14"	16"	18"	20"	22"	24"
2" *	12"	-	-	-	-	-	-	-	-	-	-	-	-	-
3" *	-	12"	14"	-	-	-	-	-	-	-	-	-	-	-
4" *	-	-	12"	14"	16"	-	-	-	-	-	-	-	-	-
5"	-	-	-	12"	14"	16"	18"	-	-	-	-	-	-	-
6" *	-	-	-	-	12"	14"	16"	18"	-	-	-	-	-	-
7"	-	-	-	-	-	-	16"	18"	18"	-	-	-	-	-
8" *	-	-	-	-	-	-	-	-	18"	18"	-	-	-	-
10" *	-	-	-	-	-	-	-	-	-	18"	18"	18"	-	-
12"	-	-	-	-	-	-	-	-	-	-	18"	18"	18"	18"

AVAILABLE SPOT EXHAUSTER FLEX DUCT

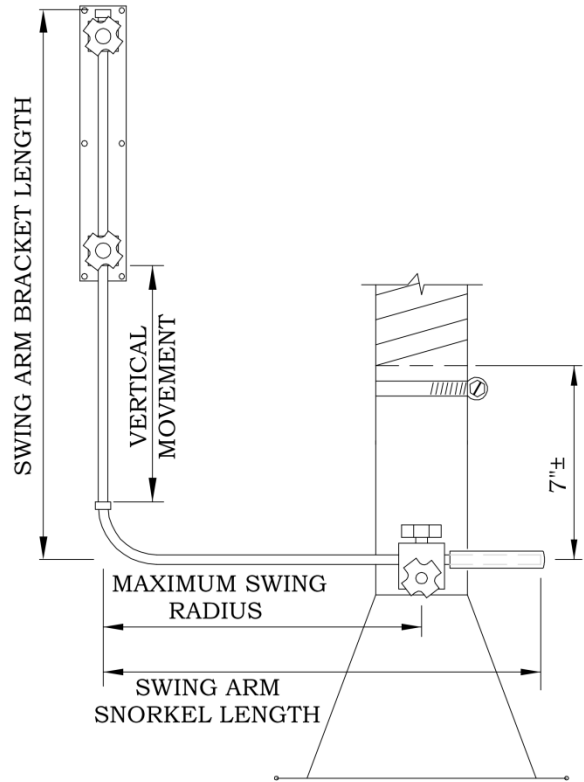
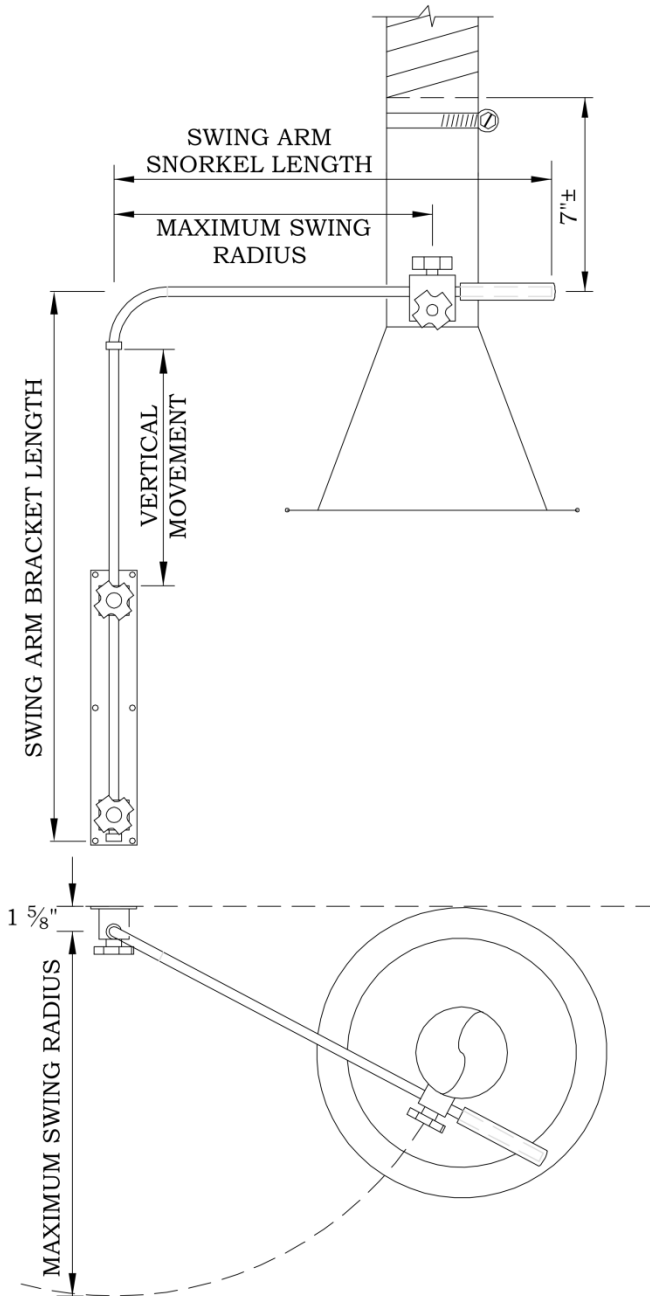
Blue PVC: Very flexible yet rugged, this duct is the perfect choice for smoke, air, and weld fumes. The duct is made from 0.020" thick PVC with a steel wire support. Operating temperature range: 20° to 160° F, meets UL 94V0 for flammability. This duct is available for all Spot Exhauster neck sizes.

* **Abrasive Resistant Black TPR:** Less flexible than Blue PVC, this duct is ideal for smoke and dust, grinding dust, and wood sawdust. This TPR (thermoplastic rubber) hose has an external gray polypropylene support. The support also acts as a wear strip. Material thickness is 0.026" for 2" to 4" hose; 0.045" for 6" to 10" hose. Operating temperature range: -60° to 275° F.

SPOT EXHAUSTER MODEL NUMBER SELECTION

	SSE	4	8	1	304	5	PVC	36	48	-	-	-	-
Spot Exhauster	[]												
Neck Size (2=1-7/8", 3=2-7/8", 4=3-7/8" , 5=4-7/8", 6=5-7/8", 7=6-7/8", 8=7-7/8", 10=9-7/8", 12=11-7/8", SP=Special)	[]												
Cone Inlet Size (4=4", 5=5", 6=6", 7=7", 8=8" , 9=9" 10=10", 12=12", 14=14", 16=16", 18=18", 20=20", 22=22", 24=24", SP=Special)	[]												
Inlet Flange Ring (0=None, 1=1", 2=2", SP=Special)	[]												
Cone Material (GAL=Galvanized, 304=SS304 , 316=SS316, PCS=Powder Coated Steel, SP=Special)	[]												
Flex Length (0=None, 5=5' , 10=10', SP=Special)	[]												
Flex Material (PVC=Blue PVC, TPR=Abrasive Resistant Black TPR, NA=Not Applicable, SP=Special)	[]												
Swing Arm Bracket Length (0=None, 24=24", 30=30", 36=36" , 42=42", 48=48", SP=Special)	[]												
Swing Arm Snorkel Length (0=None, 24=24", 30=30", 36=36", 42=42", 48=48" , SP=Special)	[]												
Optional Damper (Blank=None, MBD=Manual Butterfly Damper, BGD=Blast Gate Damper) Consult Factory for Availability	[]												
Optional Magnehelic Airflow Indicator (Blank=None, 1AI=0-1"w.g., 2AI=0-2"w.g., 5AI=0-5"w.g., SPAI=Special)	[]												
Optional ceiling Trim Ring (Blank=None, 4TR=4" Trim Ring)	[]												

"4TR" only available on 4" Neck Size models



SWING ARM LENGTH		VERTICAL MOVEMENT	MAX. SWING RADIUS
BRACKET	SNORKEL		
24"	36"	2 1/2"	31 3/4"
30"	30"	8 1/2"	25 5/8"
36"	24"	14 5/8"	19 5/8"
24"	48"	2 3/8"	43 3/4"
30"	42"	8 1/2"	37 3/4"
36"	36"	14 1/2"	31 5/8"
42"	30"	20 5/8"	25 5/8"
48"	24"	26 5/8"	19 1/2"
36"	48"	14 1/2"	43 3/4"
42"	42"	20 1/2"	37 5/8"
48"	36"	26 5/8"	31 5/8"

SPOT EXHAUSTER SWING ARM SUPPORT DETAILS

NOT TO SCALE

THESE DETAILS ARE THE EXCLUSIVE PROPERTY OF ZEIGLER ENTERPRISES, INC.